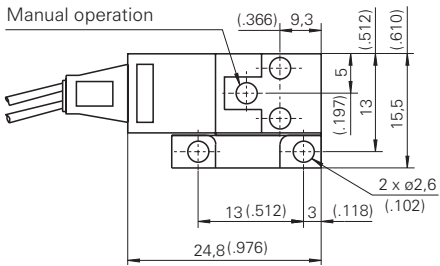
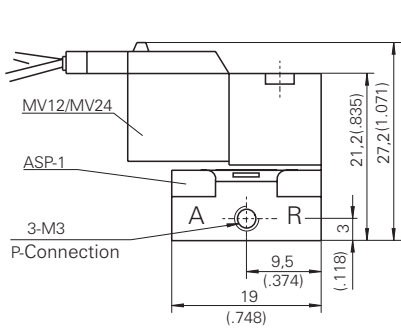
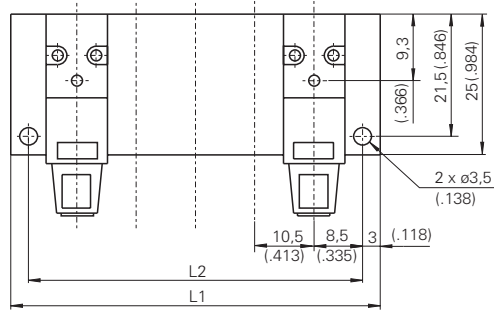
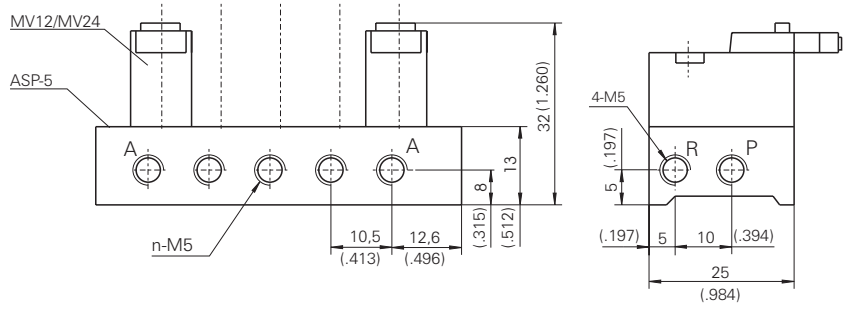


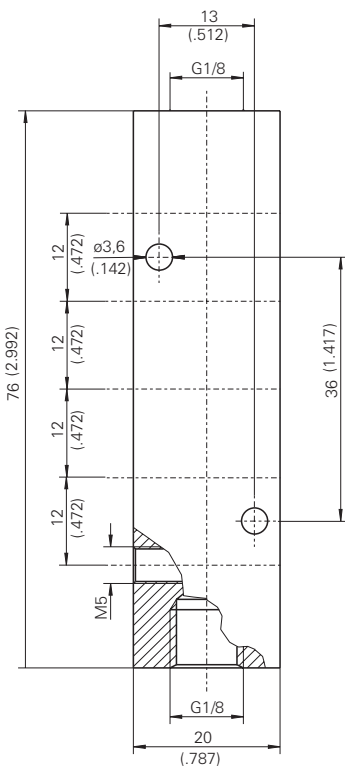
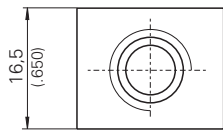
Single Connection Plate (ASP-1)



Multi Connection Plate (ASP-2...-10)



Ten-fold distributors (PZ-010)



T-piece (PT-300-M5)

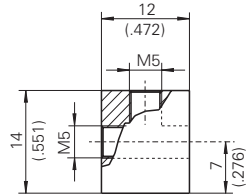
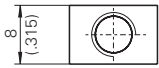


Table of Dimensions for Multi Connection Plate

Number Valves	L1	L2
2	33,5 (1.319)	27,5 (1.083)
3	44,0 (1.732)	38,0 (1.496)
4	54,5 (2.146)	48,5 (1.909)
5	65,0 (2.559)	59,0 (2.323)
7	86,0 (3.386)	80,0 (3.150)
8	96,0 (3.780)	90,5 (3.563)
9	107,0 (4.213)	101,0 (3.976)
10	117,5 (4.626)	111,5 (4.390)

Threaded Terminal M3	Threaded Terminal M5	Reducers	Plugs for Distributors PZ-010
 VR-200-1 10,0 (.394)	 VR-300-1 13,0 (.512)	 RD-300-1 11,5 (.453)	 ST-PZ-VR 9,5 (.374)
 VR-200-2 10,2 (.402)	 VR-300-2 12,5 (.492)	 RD-300-1-2 14,5 (.571)	 VR-PZ-3 21,6 (.850)
 VR-200-3 11,0 (.433)	 VR-300-3 16,0 (.630)	 RD-300-2 17,0 (.669)	 VR-PZ-4 24,8 (.976)