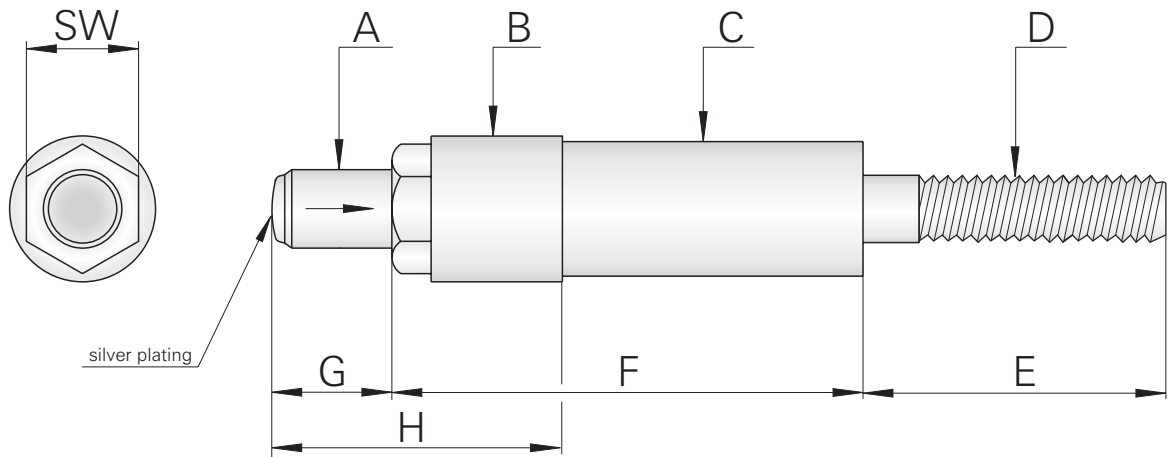


HSS 2259-2532

High-Current Probe from 25 A up to 400 A

Installation Heights: see below
Recommended Stroke: 7,0 mm (.276)

High Current Test Probe



Order-No.	Maxim. Current (A)	Transition Resistance (mΩ)	Spring Force Pre-Load N (oz)	Spring Force Work. Stroke N (oz)	∅A mm (inch)	∅B mm (inch)	∅C mm (inch)	D (Thread)	E mm (inch)	F mm (inch)	G mm (inch)	H mm (inch)	SW Spanner Size	Silver Plating mm (inch)
2259	25	1,0	5 (18.1)	10 (36.0)	4,9 (.193)	9 (.354)	9 (.354)	M5	20 (.787)	28 (1.102)	9,5 (.374)	37,5 (1.476)	SW 7 (.276)	∅ 4 (.157)
2513	35	0,7	6 (21.7)	12 (43.2)	7 (.276)	13 (.512)	12 (.472)	M6	27 (1.063)	42 (1.654)	10,5 (.413)	25,7 (1.012)	SW 10 (.394)	∅ 6 (.236)
2516	100	0,5	7 (25.2)	17 (61.2)	9 (.354)	16 (.630)	15 (.591)	M6	27 (1.063)	42,2 (1.661)	12 (.472)	27 (1.063)	SW 12 (.472)	∅ 6 (.236)
2526	200	0,3	38 (136.8)	58 (208.8)	16 (.630)	26 (1.024)	25 (.984)	M8	27 (1.063)	52 (2.047)	11 (.433)	40 (1.575)	SW 20 (.787)	3 x ∅ 6 3 x (.236)
2532	400	0,1	70 (252.0)	116 (417.6)	25,9 (1.020)	32 (1.260)	32 (1.260)	M14	51 (2.01)	52 (2.047)	11 (.433)	63 (2.480)	-	3 x ∅ 8 3 x (.315)

Mechanical Data

Working Stroke: 7,0 mm (.276)
Maximum Stroke: see Table above - column "G"

Electrical Data

see Table above

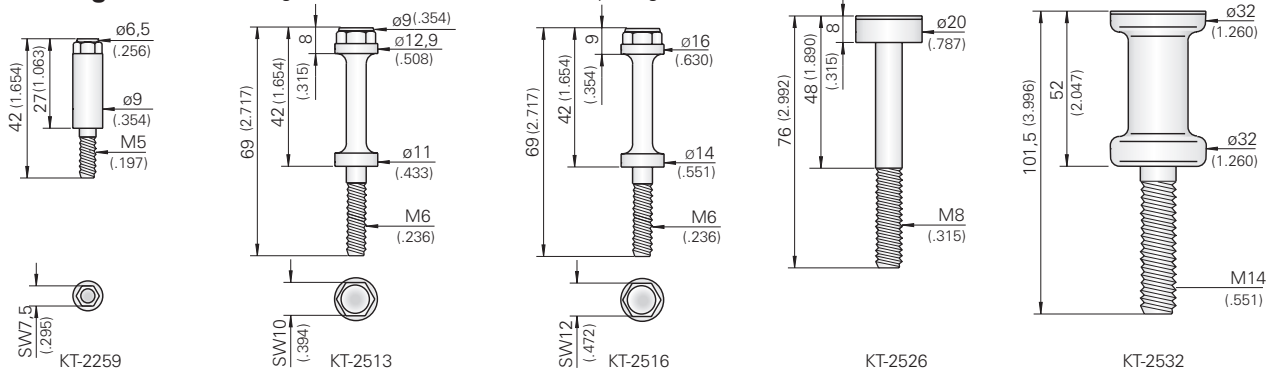
Operating Temperature

+1° up to +85° C

Materials

Plunger: Brass, silver-plated
Silver-plating on the Contact Surface
Barrel: Brass, silver-plated
Spring: Stainless Steel

Contacting Terminal for High Current Test Probes (with silver plating)



Ordering Example

Test Probe:

H S S 2 2 5 9

Contact Terminal:

K T 2 2 5 9

Materials

Contact Terminals: Brass, silver-plated
Silver-plating on the Contact Surface