

GKS 967

Short-stroke and Charging Test Probes

Grid:

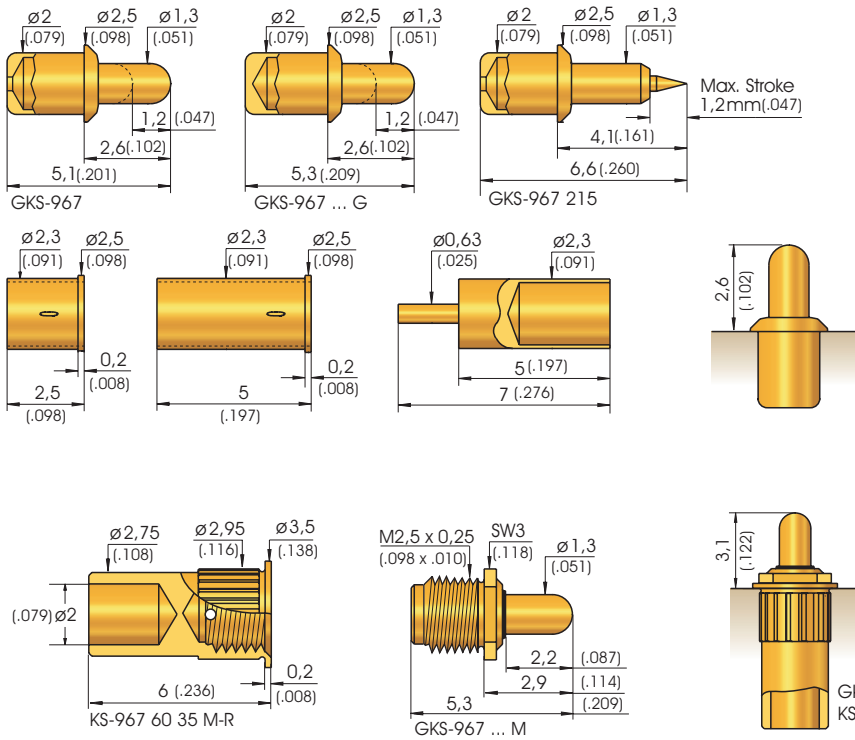
≥ 3,00 mm

≥ 120 Mil

Installation Height: 2,6 resp. 4,1 mm (.102/ .161)

Recommended Stroke: 1,0 mm (.039)

Mounting and Functional Dimensions



Available Tip Styles

Material	Tip Style	Plating	Further Versions		
			ø	ø (inch)	
3 02		Ø 1,30 (.051)	A		
3 03		Ø 1,30 (.051)	A		
3 04		Ø 1,30 (.051)	A		
3 05		Ø 1,30 (.051)	A		
3 06		Ø 1,30 (.051)	A		
2 15*		Ø 1,30 (.051)	A		

* Installation Height: 4,1 mm (.161)

Mechanical Data

Working Stroke: 1,0 mm (.039)
Maximum Stroke: 1,2 mm (.047)
Spring Force at Work. Stroke: 2,0 N (7.2oz)
alternative: 1,0 N (3.6oz)

Electrical Data

Current Rating: 5 - 8 A
R_i typical: < 10 mΩ

Materials

Plunger: BeCu or steel , gold-plated
Barrel: Brass, gold-plated
Spring: Steel, gold-plated
Receptacle: Brass, gold-plated

Mounting Hole Size

GKS 967
in CEM1 and FR4
with Receptacle: ø 2,28 - 2,29 mm (.0898 - .0902)
without Receptacle: ø 2,00 mm (.0787)

Mounting Hole Size

GKS 967 ... M
in CEM1 und FR4
with Receptacle: ø 2,92 - 2,94 mm (.1150 - .1157)

Note:

GKS-967 ... M will be screwed into Receptacle KS-967 60 35 M-R; using special tools (see Page 170/171).

Recommended Screw-in Torque:
 Min.: 10 Ncm / Max.: 20 Ncm

Ordering Example

	Series	Tip Material 1 = Brass 3 = BeCu	Tip Style	Tip Diameter (1/100 mm)	Plating A = Gold R = Rhodium	Spring Force (dN)	Collar Height (mm)	Typ3 "G" resp. "M"
Test Probe:	G K S	9 6 7	3 0 4	1 3 0	A	2 0	0 1	
Receptacles:	K S - 9 6 7 2 5		K S - 9 6 7 5 0		K S - 9 6 7 7 0			
Test Probe (Seite 69):	G K S	7 6 1	3 0 5	0 8 0	A	1 0	0 1	M
Receptacle (Seite 69):	K S - 7 6 1 6 0 3 5 M - R							
Test Probe (Seite 69):	G K S	9 7 0	3 0 5	1 3 0	A	2 0	0 1	
Test Probe (Seite 69):	G K S	9 6 1	3 0 5	0 5 0	A	0 6	0 1	
Receptacle (Seite 69):	K S - 9 6 1 3 5							