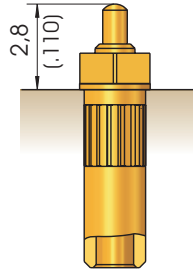
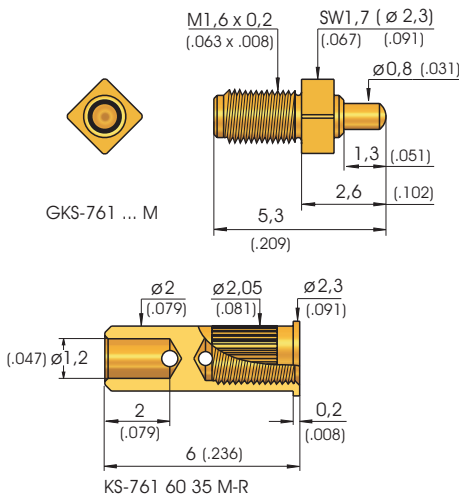


GKS 761 M



GKS-761 ... M in
KS-761 60 35 M-R

Grid:

≥ 2,54 mm

≥ 100 Mil

Installation Height: 2,6 mm (.102) resp. 2,8 mm (.110)

Recommended Stroke: 1,0 mm (.039)

Available Tip Styles

Material	Tip Style	Plating	Further Versions	
			ø	ø (inch)
3 05		A	ø 0,80 (.032)	

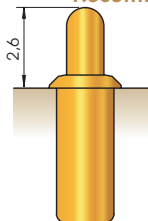
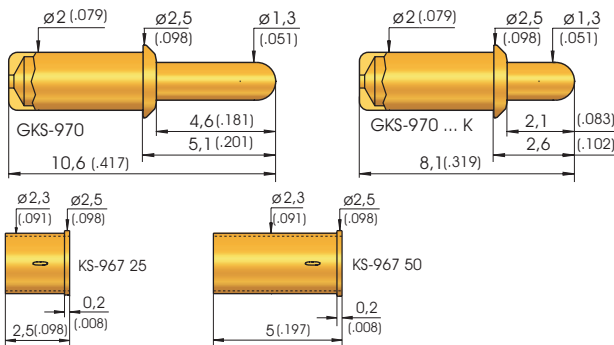
NEW

Note:

GKS-761 ... M will be screwed into Receptacle KS-761 60 35 M-R; using special tools (see Page 170/171).

Recommended Screw-in Torque:
Min.: 3 Ncm / Max.: 5 Ncm

GKS 970



GKS-970 ... K
ohne KS

Grid:

≥ 3 mm

≥ 120 Mil

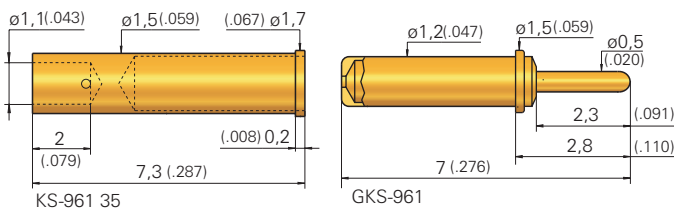
Installation Height: 2,6 mm (.102) bzw. 5,1 mm (.201)

Recommended Stroke: 1,0 mm (.039) bzw. 2,8 mm (.110)

Available Tip Styles

Material	Tip Style	Plating	Further Versions	
			ø	ø (inch)
3 05		A	ø 1,30 (.051)	

GKS 961



Grid:

≥ 1,91 mm

≥ 75 Mil

Installation Height: 2,8 mm (.110)

Recommended Stroke: 1,0 mm (.039)

Available Tip Styles

Material	Tip Style	Plating	Further Versions	
			ø	ø (inch)
3 05		A	ø 0,50 (.020)	

Mechanical Data	GKS 761 M
Working Stroke:	1,0 mm (.039)
Maximum Stroke:	1,2 mm (.047)
Spring Force at Work.Stroke:	1,0 N (3.6oz)

Mechanical Data	GKS 961
Working Stroke:	1,0 mm (.039)
Maximum Stroke:	1,3 mm (.051)
Spring Force at Work.Stroke:	0,6 N (2.2oz)

Mechanical Data	GKS 970 (970...K)
Work. Stroke:	2,8 mm (.110) (1,0 mm(.039))
Max. Stroke:	3,3 mm (.130) (1,7 mm (.067))
Spring Force at Work.Stroke:	2,0 N (7.2oz)

Electrical Data	GKS 761 M
Current Rating:	5 A
R _j typical:	< 20 mΩ

Electrical Data	GKS 961
Current Rating:	2 A
R _j typical:	< 100 mΩ

Electrical Data	GKS 970
Current Rating:	5 - 8 A
R _j typical:	< 20 mΩ

Materials	GKS 761 M
Plunger:	BeCu, gold-plated
Barrel:	Brass, gold-plated
Spring:	Steel, gold-plated
Receptacle:	Brass, gold-plated

Materials	GKS 961
Plunger:	BeCu, gold-plated
Barrel:	Brass, gold-plated
Spring:	Stainless Steel, gold-plated
Receptacle:	Brass, gold-plated

Materials	GKS 970
Plunger:	BeCu, gold-plated
Barrel:	Brass, gold-plated
Spring:	Steel, gold-plated
Receptacle:	Brass, gold-plated

Mounting Hole Size	GKS 761 M
in CEM1 and FR4	
with KS-761 60 35 M-R	ø 2,00 - 2,02 mm (.0787 - .0866)

Mounting Hole Size	GKS 961
in CEM1 and FR4	
with Receptacle:	ø 1,49 - 1,50 mm (.0587 - .0591)
without Receptacle:	ø 1,2 mm (.0472)

Mounting Hole Size	GKS 970
in CEM1 and FR4	
with Receptacle:	ø 2,28 - 2,29 mm (.0898 - .0902)
without Receptacle:	ø 2,0 mm (.0787)