

Product Information

ingun Prüfmittelbau GmbH
 Max-Stromeyer-Straße 162
 78467 Konstanz
 Germany

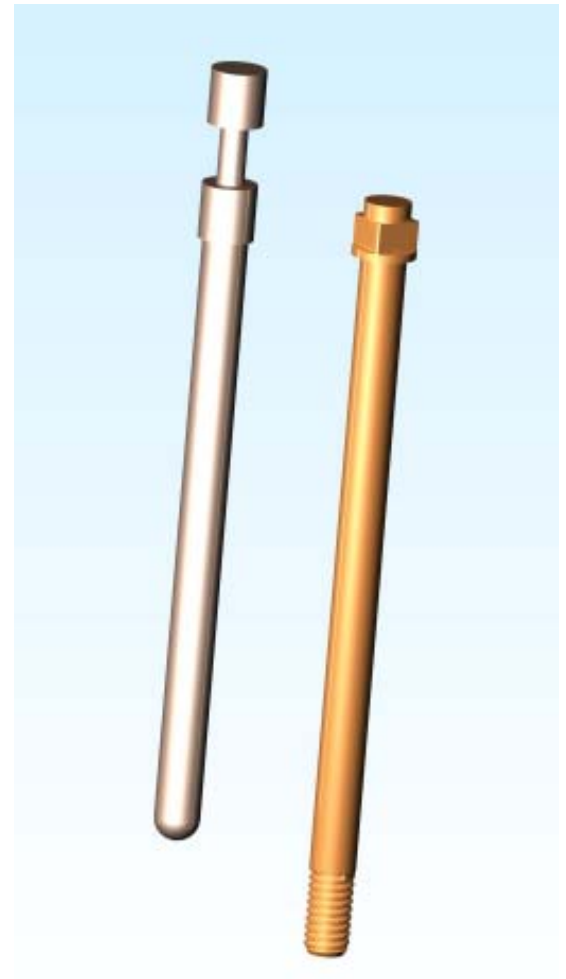
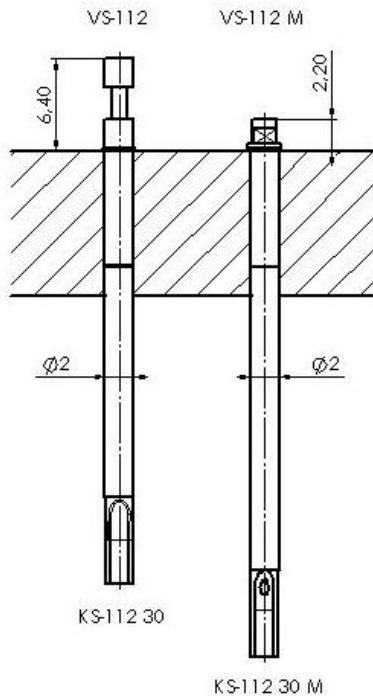
Tel. +49 7531 8105-0
 Fax +49 7531 8105-65
 info@ingun.com
 www.ingun.com

VS-112 and VS-112 M Stoppers for Receptacles

When Test Fixtures are partly assembled then the problem often arises that Test Probes are inserted in the wrong place. To avoid this, either press-in or screw-in Stoppers are available for insertion in the Receptacles. The Stoppers are available made either of delrin or brass.

A further advantage of the Stoppers - especially for threaded Receptacles - is that they offer a perfect protection against dust and dirt.

An alternative to the Stopper solution is the possibility of using the standard Test Probe of which the plunger has been assembled in the pressed-down and fixed position.



Contact us for further information.
 Prices and availability on request.

Ordering Example:
 VS-112
 VS-112 M